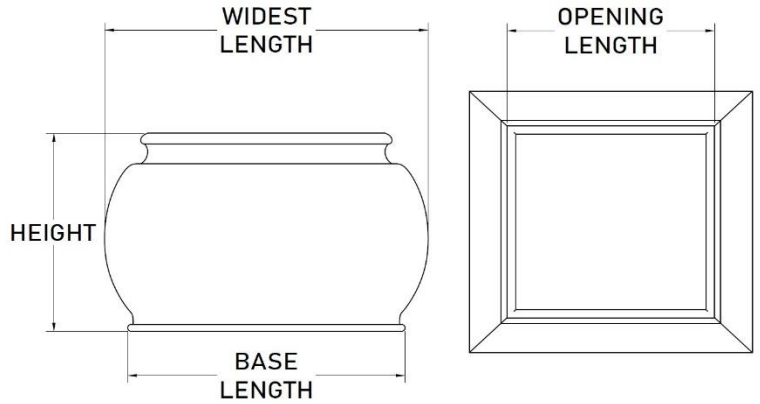




ATHENS *Square Planter*



Product Code	Widest Length	Opening Length	Height	Base Length	Weight (approx.)
ATS2418	24	12	18	20	20.57
ATS3018	30	19	18	24	27.33
ATS3618	36	25	18	30	34.47
ATS4218	42	31	18	36	?
ATS4818	48	37	18	42	50.43
ATS2424	24	11	24	20	26.1
ATS3024	30	17	24	25	34.01
ATS3624	36	23	24	29	42.48
ATS4224	42	29	24	35	51.51
ATS4824	48	35	24	41	61.1
ATS3030	30	14	30	20	48.75
ATS3630	36	18	30	27	60.51
ATS4230	42	26	30	32	72.88
ATS4830	48	32	30	38	85.92
ATS6030	60	44	30	50	113.97
ATS3636	36	17	36	24	75.76
ATS4236	42	23	36	30	90.88
ATS4836	48	29	36	40	106.72
ATS6036	60	41	36	48	140.56
ATS7236	72	53	36	60	177.28

ATHENS *Square Planter*



Product Code	Widest Length	Opening Length	Height	Base Length	Weight (approx.)
ATS4242	42	19	42	28	103.1
ATS4842	48	25	42	34	120.69
ATS6042	60	36	42	49	158
ATS7242	72	49	42	58	198.2

Can't find a size? Contact Us!

The Chandler Company
2621 S. Birch St.
Santa Ana, CA 92707
(714) 979-4212

info@thechandlercompany.com
www.thechandlercompany.com