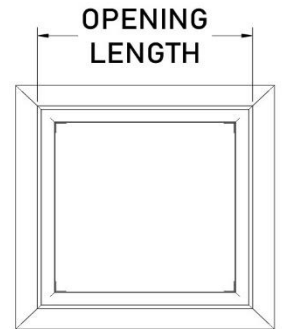
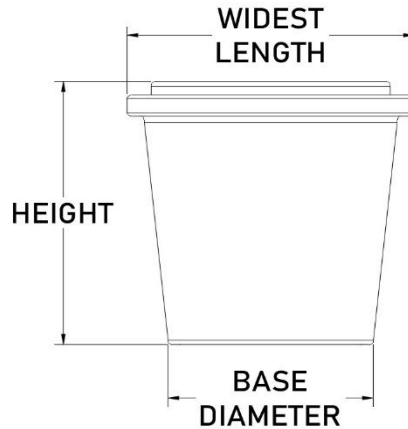


CABRILLO *Square Planter*



| Product Code | Widest Length | Opening Length | Height | Base Length | Weight (approx.) |
|--------------|---------------|----------------|--------|-------------|------------------|
| CAS2418 | 24 | 17 | 18 | 15 | 18.2 |
| CAS3018 | 30 | 24 | 18 | 23 | 25.29 |
| CAS3618 | 36 | 30 | 18 | 29 | 32.95 |
| CAS4818 | 48 | 42 | 18 | 41 | 49.93 |
| CAS2424 | 24 | 17 | 24 | 15.5 | 21.56 |
| CAS3024 | 30 | 22.5 | 24 | 20 | 29.77 |
| CAS3624 | 36 | 29 | 24 | 28 | 38.55 |
| CAS4224 | 42 | 35 | 24 | 34 | 47.88 |
| CAS4824 | 48 | 41 | 24 | 40 | 57.77 |
| CAS3030 | 30 | 22 | 30 | 21 | 40.37 |
| CAS3630 | 36 | 28 | 30 | 26 | 52.03 |
| CAS4230 | 42 | 34 | 30 | 33 | 64.35 |
| CAS4830 | 48 | 40 | 30 | 39 | 77.33 |
| CAS6030 | 60 | 52 | 30 | 51 | 105.27 |
| CAS3636 | 36 | 27 | 36 | 24 | 63.96 |
| CAS4236 | 42 | 33 | 36 | 30 | 78.84 |
| CAS4836 | 48 | 39 | 36 | 36 | 94.44 |
| CAS6036 | 60 | 51 | 36 | 48 | 127.8 |
| CAS7236 | 72 | 63 | 36 | 60 | 164.04 |
| CAS4242 | 42 | 33.5 | 42 | 31.5 | 87.48 |

CABRILLO *Square Planter*



| Product Code | Widest Length | Opening Length | Height | Base Length | Weight (approx.) |
|--------------|---------------|----------------|--------|-------------|------------------|
| CAS4842 | 48 | 38 | 42 | 35 | 104.52 |
| CAS6042 | 60 | 50 | 42 | 47 | 140.76 |
| CAS7242 | 72 | 62 | 42 | 59 | 179.88 |

Can't find a size? Contact Us!

The Chandler Company
2621 S. Birch St.
Santa Ana, CA 92707
(714) 979-4212

info@thechandlercompany.com
www.thechandlercompany.com