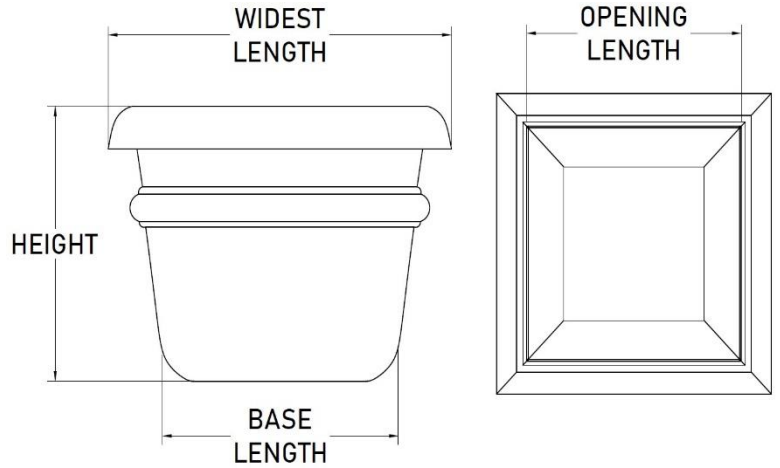




MONTEREY *Square Planter*



Product Code	Widest Length	Opening Length	Height	Base Length	Weight (approx.)
MNS2418	24	17	18	17	21.77
MNS3018	30	25	18	24	28.59
MNS3618	36	29	18	29	35.96
MNS4818	48	41	18	41	52.39
MNS2424	24	15	24	14	27.18
MNS3024	30	21	24	21	35.34
MNS3624	36	22	24	21	44.04
MNS4224	42	33	24	33	53.3
MNS4824	48	39	24	39	63.12
MNS3030	30	18	30	18	50.71
MNS3630	36	24	30	23	62.75
MNS4230	42	31	30	31	75.46
MNS4830	48	36	30	35	88.82
MNS6030	60	49	30	49	117.53
MNS3636	36	22	36	21	79.83
MNS4236	42	28	36	27	95.56
MNS4836	48	34	36	32	112
MNS6036	60	46	36	47	147.04
MNS7236	72	59	36	59	184.32
MNS4242	42	27	42	27	107.5

MONTEREY *Square Planter*



Product Code	Widest Length	Opening Length	Height	Base Length	Weight (approx.)
MNS4842	48	33	42	33	125.61
MNS6042	60	45	42	45	164.02
MNS7242	72	57	42	57	205.29

Can't find a size? Contact Us!

The Chandler Company
2621 S. Birch St.
Santa Ana, CA 92707
(714) 979-4212

info@thechandlercompany.com
www.thechandlercompany.com