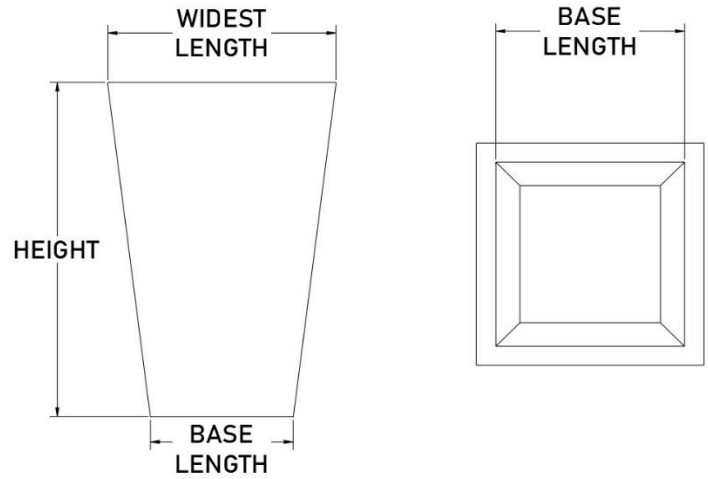


TAPERED *Square Planter*



Product Code	Widest Length	Opening Length	Height	Base Length	Weight (approx.)
TAS1812	18	?	12	?	9.14
TAS2412	24	?	12	22	13.43
TAS3012	30	?	12	?	?
TAS3612	36	?	12	?	?
TAS4812	48	?	12	?	?
TAS1818	18	?	18	?	11.54
TAS2418	24	?	18	20.5	16.77
TAS1824	18	?	24	?	14.84
TAS2424	24	?	24	19.5	19.9
TAS3024	30	?	24	?	23.03
TAS3224	32	?	24	?	?
TAS1830	18	?	30	?	17.45
TAS2430	24	19.85	30	18	26.9
TAS3030	30	25.85	30	18	32.01
TAS3230	32	?	30	?	?
TAS3630	36	31.85	30	24	39.93
TAS4230	42	?	30	?	52.13
TAS5430	54	?	30	?	?
TAS6230	62	?	30	?	?
TAS1836	18	?	36	?	24.48

TAPERED *Square Planter*



Product Code	Widest Length	Opening Length	Height	Base Length	Weight (approx.)
TAS2436	24	19.85	36	15	31.36
TAS3036	30	25.85	36	19	40.36
TAS3236	32	?	36	?	?
TAS3636	36	31.85	36	22	48.33
TAS4236	42	?	36	?	61.73
TAS5436	54	?	36	?	76.49
TAS6236	62	?	36	?	
TAS3042	30	25.85	42	20	47.52
TAS3242	32	?	42	?	?
TAS3642	36	31.85	42	22	57.04
TAS4242	42	37.85	42	26	65.92
TAS4842	48	?	42	?	79.72
TAS5442	54	?	42	?	?
TAS6242	62	?	42	?	127.51
TAS3048	30	?	48	?	?
TAS3248	32	27.85	48	20	?
TAS3648	36	?	48	?	?
TAS4248	42	37.85	48	26	74.09
TAS4848	48	?	48	?	?
TAS5448	54	49.85	48	32	95.39
TAS6248	62	?	48	?	124.3
TAS6648	66	54.25	48	44	?
TAS6665	66	61.85	65	38	152.64

Can't find a size? Contact Us!

The Chandler Company
 2621 S. Birch St.
 Santa Ana, CA 92707
 (714) 979-4212

info@thechandlercompany.com
www.thechandlercompany.com