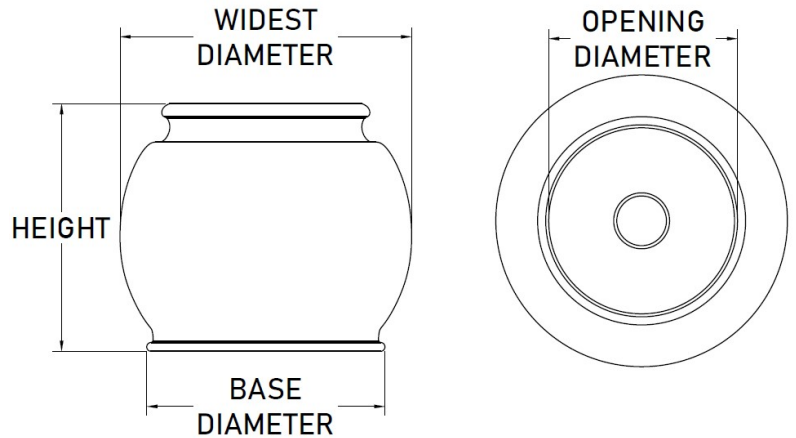


# ATHENS *Round Planter*



Product Code	Widest Diameter	Opening Diameter	Height	Base Diameter	Weight (lbs.)
ATR2418	24	12	18	20	15.78
ATR2424	24	11	24	20	19.84
ATR3018	30	19	18	24	20.81
ATR3024	30	17	24	25	25.84
ATR3030	30	14	30	20	37.07
ATR3618	36	25	18	30	26.26
ATR3624	36	23	24	29	32.29
ATR3630	36	18	30	27	42.94
ATR3636	36	17	36	24	57.61
ATR4224	42	29	24	35	39.18
ATR4230	42	26	30	32	55.39
ATR4236	42	23	36	30	69.12
ATR4242	42	19	42	28	78.48
ATR4818	48	37	18	42	38.51
ATR4824	48	35	24	41	46.51
ATR4830	48	32	30	38	65.33
ATR4836	48	29	36	40	81.17
ATR4842	48	25	42	34	91.87
ATR6030	60	44	30	50	86.75
ATR6036	60	41	36	48	107.01

# ATHENS *Round Planter*



Product Code	Widest Diameter	Opening Diameter	Height	Base Diameter	Weight (lbs.)
ATR6042	60	36	42	49	120.33
ATR7236	72	53	36	60	135.09
ATR7242	72	49	42	58	151.06
ATR8452	84	58	52	74	286.98

*Can't find a size? Contact Us!*

The Chandler Company

2621 S. Birch St.

Santa Ana, CA 92707

(714) 979-4212

[info@thechandlercompany.com](mailto:info@thechandlercompany.com)

[www.thechandlercompany.com](http://www.thechandlercompany.com)