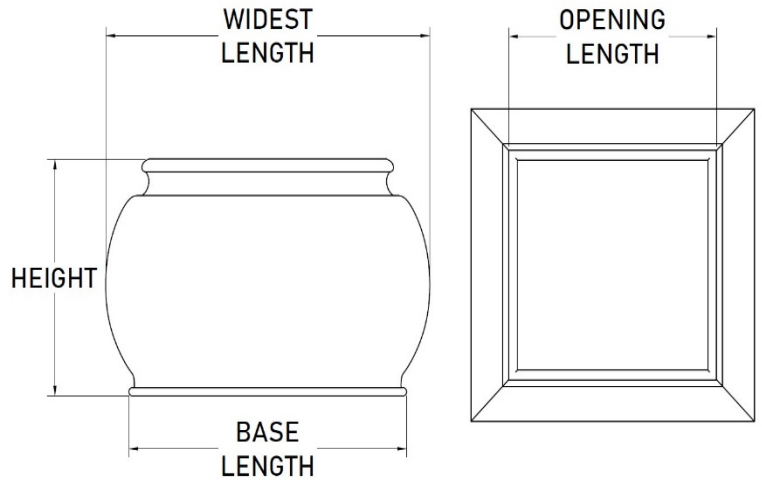


ATHENS *Square Planter*



| Product Code | Widest Length | Opening Length | Height | Base Length | Weight (lbs.) |
|--------------|---------------|----------------|--------|-------------|---------------|
| ATS2418 | 24 | 12 | 18 | 20 | 20.57 |
| ATS2424 | 24 | 11 | 24 | 20 | 26.1 |
| ATS3018 | 30 | 19 | 18 | 24 | 27.33 |
| ATS3024 | 30 | 17 | 24 | 25 | 34.01 |
| ATS3030 | 30 | 14 | 30 | 20 | 48.75 |
| ATS3618 | 36 | 25 | 18 | 30 | 34.47 |
| ATS3624 | 36 | 23 | 24 | 29 | 42.48 |
| ATS3630 | 36 | 18 | 30 | 27 | 60.51 |
| ATS3636 | 36 | 17 | 36 | 24 | 75.76 |
| ATS4224 | 42 | 29 | 24 | 35 | 51.51 |
| ATS4230 | 42 | 26 | 30 | 32 | 72.88 |
| ATS4236 | 42 | 23 | 36 | 30 | 90.88 |
| ATS4242 | 42 | 19 | 42 | 28 | 103.1 |
| ATS4818 | 48 | 37 | 18 | 42 | 50.43 |
| ATS4824 | 48 | 35 | 24 | 41 | 61.1 |
| ATS4830 | 48 | 32 | 30 | 38 | 85.92 |
| ATS4836 | 48 | 29 | 36 | 40 | 106.72 |
| ATS4842 | 48 | 25 | 42 | 34 | 120.69 |
| ATS6030 | 60 | 44 | 30 | 50 | 113.97 |
| ATS6036 | 60 | 41 | 36 | 48 | 140.56 |

ATHENS *Square Planter*



| Product Code | Widest Length | Opening Length | Height | Base Length | Weight (lbs.) |
|--------------|---------------|----------------|--------|-------------|---------------|
| ATS6042 | 60 | 36 | 42 | 49 | 158 |
| ATS7236 | 72 | 53 | 36 | 60 | 177.28 |
| ATS7242 | 72 | 49 | 42 | 58 | 198.2 |

Can't find a size? Contact Us!

The Chandler Company

2621 S. Birch St.

Santa Ana, CA 92707

(714) 979-4212

info@thechandlercompany.com

www.thechandlercompany.com