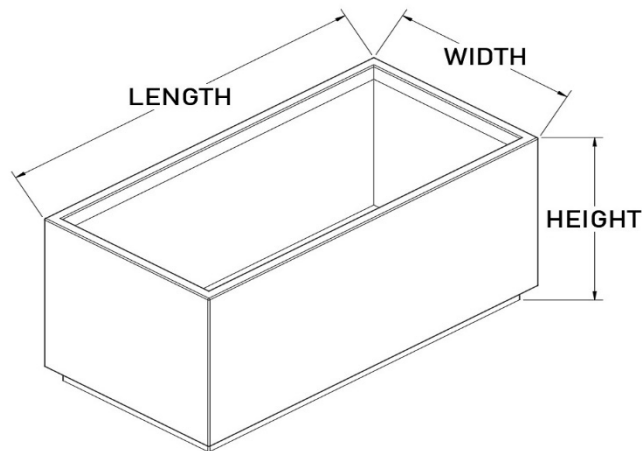
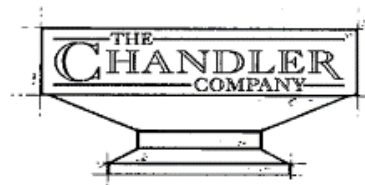


CHANDLER *Rectangular Planter*



Product Code	Length	Width	Height	Weight (lbs.)
CH481818	48	18	18	30.33
CH481824	48	18	24	36.49
CH482424	48	24	24	42.56
CH543024	54	30	24	50.49
CH543030	54	30	30	68.75
CH601818	60	18	18	37.52
CH601824	60	18	24	43.59
CH602424	60	24	24	49.09
CH603024	60	30	24	54.6
CH603030	60	30	30	75.9
CH603630	60	36	30	81.4
CH604236	60	42	36	112.92
CH721818	72	18	18	43.53
CH721824	72	18	24	50.68
CH722418	72	24	18	47.79
CH722424	72	24	24	58.24
CH723024	72	30	24	62.81
CH723030	72	30	30	85.25
CH723630	72	36	30	93.06
CH723636	72	36	36	118.8

CHANDLER *Rectangular Planter*



Product Code	Length	Width	Height	Weight (lbs.)
CH843024	84	30	24	71.03
CH843030	84	30	30	96.25
CH843630	84	36	30	104.72
CH843636	84	36	36	133.44
CH962436	96	24	36	126.24
CH963636	96	36	36	148.08
CH964236	96	42	36	159
CH1083024	108	30	24	87.45
CH1202424	120	24	24	87.36
CH1203636	120	36	36	186.36

Can't find a size? Contact Us!

The Chandler Company
2621 S. Birch St.
Santa Ana, CA 92707
(714) 979-4212

info@thechandlercompany.com
www.thechandlercompany.com