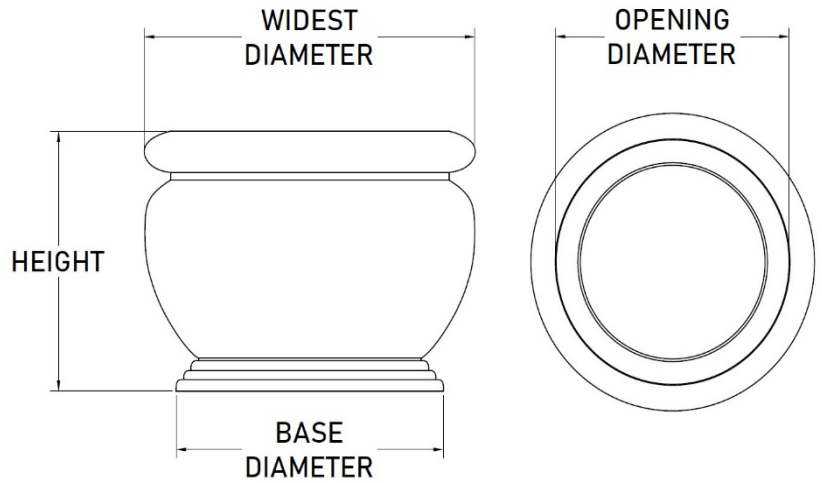
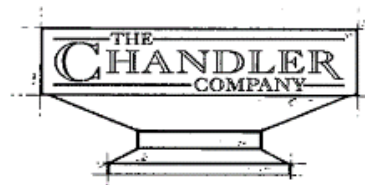


ENCINITAS *Round Planter*



Product Code	Widest Diameter	Opening Diameter	Height	Base Diameter	Weight (lbs.)
ENR2418	24	17	18	20	18.3
ENR2424	24	15	24	18	22.95
ENR3018	30	23	18	23	23.95
ENR3024	30	21	24	24	29.72
ENR3030	30	19	30	19	41.94
ENR3618	36	29	18	29	30.03
ENR3624	36	27	24	30	36.95
ENR3630	36	25	30	28.5	51.78
ENR3636	36	23	36	26.5	66.02
ENR4224	42	33	24	33	44.61
ENR4230	42	32	30	34	62.15
ENR4236	42	29	36	29	78.88
ENR4242	42	34	42	29	89.35
ENR4818	48	29	18	27	43.52
ENR4824	48	39	24	42	52.71
ENR4830	48	37	30	37	73.04
ENR4836	48	35	36	35	92.32
ENR4842	48	33	42	37	104.24
ENR5418	54	35	18	34	50.93
ENR6030	60	49	30	49	96.36

ENCINITAS *Round Planter*



Product Code	Widest Diameter	Opening Diameter	Height	Base Diameter	Weight (lbs.)
ENR6036	60	47	36	47	120.87
ENR6042	60	45	42	45	135.72
ENR7236	72	59	36	59	151.69
ENR7242	72	57	42	61	169.46

Can't find a size? Contact Us!

The Chandler Company

2621 S. Birch St.

Santa Ana, CA 92707

(714) 979-4212

info@thechandlercompany.com

www.thechandlercompany.com