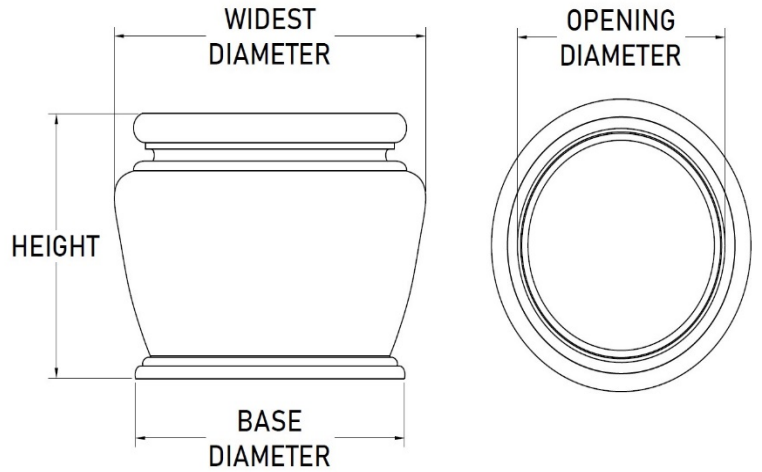


# HATHAWAY *Round Planter*



Product Code	Widest Diameter	Opening Diameter	Height	Base Diameter	Weight (lbs.)
HAR2418	24	16	18	21	18.07
HAR2424	24	13	24	19.5	22.52
HAR3018	30	22	18	27	23.68
HAR3024	30	19	24	25.5	29.23
HAR3030	30	16	30	24.5	41.25
HAR3618	36	28	18	33	29.72
HAR3624	36	25	24	31.5	36.39
HAR3630	36	22	30	30.5	51.02
HAR3636	36	19	36	29.5	65.07
HAR4218	42	34	18	39	36.21
HAR4224	42	31	24	37.5	43.97
HAR4230	42	28	30	36.5	61.3
HAR4236	42	25	36	35.5	77.85
HAR4242	42	22	42	34.5	88.91
HAR4824	48	37	24	43.5	52
HAR4830	48	34	30	42.5	72.1
HAR4836	48	31	36	41.5	91.18
HAR4842	48	28	42	40.5	103.8
HAR6030	60	46	30	54.5	95.25
HAR6036	60	43	36	53.5	119.55

# HATHAWAY *Round Planter*



---

Product Code	Widest Diameter	Opening Diameter	Height	Base Diameter	Weight (lbs.)
HAR6042	60	40	42	52.5	135.27
HAR7236	72	55	36	65.5	150.19
HAR7242	72	52	42	64.5	169.01

*Can't find a size? Contact Us!*

The Chandler Company

2621 S. Birch St.

Santa Ana, CA 92707

(714) 979-4212

[info@thechandlercompany.com](mailto:info@thechandlercompany.com)

[www.thechandlercompany.com](http://www.thechandlercompany.com)