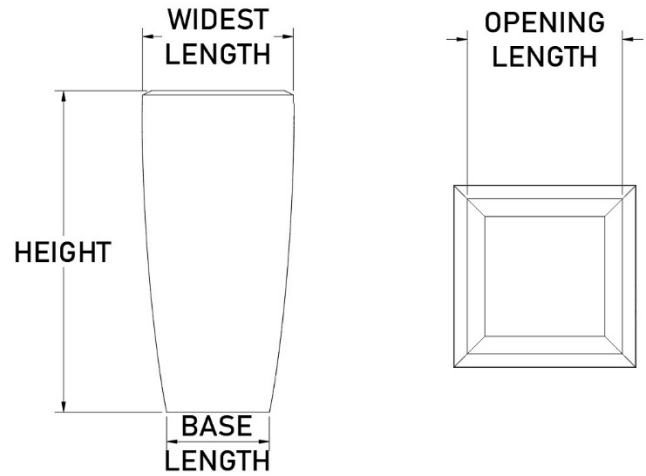


# SOFIA *Square Planter*



| Product Code | Widest Length | Opening Length | Height | Base Length | Weight (lbs.) |
|--------------|---------------|----------------|--------|-------------|---------------|
| SOS1824      | 18            | ?              | 24     | ?           | 17.08         |
| SOS1830      | 18            | ?              | 30     | ?           | 24.09         |
| SOS1836      | 18            | ?              | 36     | ?           | 30.6          |
| SOS2436      | 24            | ?              | 36     | ?           | 42.24         |
| SOS2442      | 24            | ?              | 42     | ?           | 48            |
| SOS2448      | 24            | 20.36          | 48     | 17          | 53.76         |

*Can't find a size? Contact Us!*

The Chandler Company  
 2621 S. Birch St.  
 Santa Ana, CA 92707  
 (714) 979-4212

[info@thechandlercompany.com](mailto:info@thechandlercompany.com)  
[www.thechandlercompany.com](http://www.thechandlercompany.com)