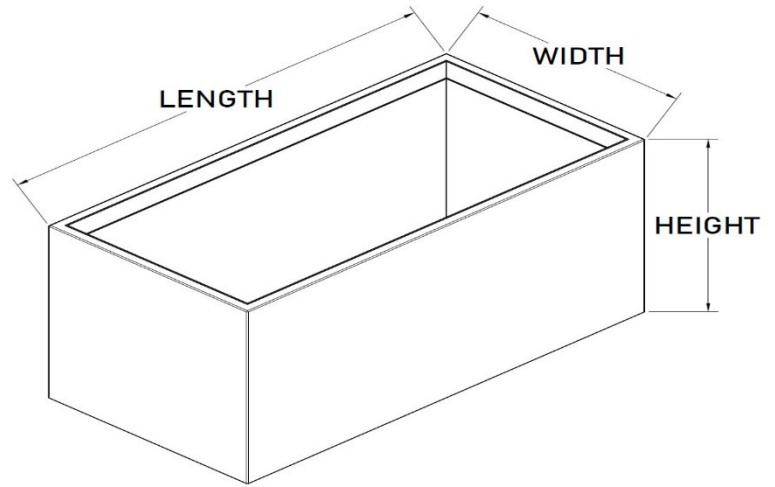
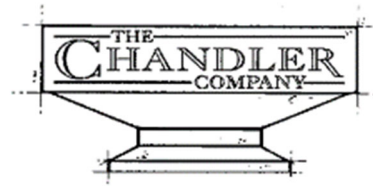




# CONTEMPORARY *Rectangular Planter*



Product Code	Length	Width	Height	Weight (lbs.)
CN481224	48	12	24	29.68
CN481818	48	18	18	28.28
CN481824	48	18	24	34.44
CN481830	48	18	30	47.85
CN482424	48	24	24	39.2
CN543030	54	30	30	65.67
CN581830	58	18	30	60.6
CN601224	60	12	24	35.84
CN601818	60	18	18	33.88
CN601824	60	18	24	41.16
CN601830	60	18	30	57.09
CN602424	60	24	24	46.48
CN603024	60	30	24	51.8
CN603030	60	30	30	70.95
CN603630	60	36	30	77.88
CN721224	72	12	24	42
CN721818	72	18	18	39.48
CN721824	72	18	24	47.88
CN721830	72	18	30	66.33
CN722424	72	24	24	53.76



# CONTEMPORARY *Rectangular Planter*

Product Code	Length	Width	Height	Weight (lbs.)
CN723030	72	30	30	81.51
CN723630	72	36	30	89.1
CN723636	72	36	36	110.16
CN843024	84	30	24	67.48
CN843030	84	30	30	92.07
CN843630	84	36	30	100.32
CN843636	84	36	36	123.84
CN961224	96	12	24	55.32
CN963636	96	36	36	143.52

*Can't find a size? Contact Us!*

The Chandler Company

2621 S. Birch St.

Santa Ana, CA 92707

(714) 979-4212

[info@thechandlercompany.com](mailto:info@thechandlercompany.com)

[www.thechandlercompany.com](http://www.thechandlercompany.com)